

# K-LITE

## Trisha Module

### Technical Specifications

#### General

ID	: 8177 / 8178 (IP40)
ID	: 8351 / 8352 (IP65)
System Wattage	: 7W / 12W LED
Driver Integral	: Constant Current
Input Voltage	: 230-240Vac
Frequency	: 50-60 Hz
Operating Voltage	: 90-265Vac
Operating Temperature	: 25°~55°C

#### Light Source

Light Source	: CITIZEN / BRIDGLUX
LED Lumens	: 700 / 1200 lm
CRI (Ra)	: >80 ( >90 On Request)
LED Colour Temperature	: 2700K / 3000K / 4000K / 5000K
Life Span	: L70 / B10@ 50,000 Hrs
SDCM	: ≤ 3

#### Physical

Body	: Die cast aluminium
Diffuser	: Clear Polycarbonate
Mounting	: Recessed



#### Options

- Driver options



#### Beam Angle



Optional : Lens / Reflector

**NOTE** : IP65 on Request

#### Area of Application

Lobbies & Foyers, Retail Sector, Corporate Office, Residential & Educational premises, Commercial & Business Centres, Hospitality Industry



### LED Module

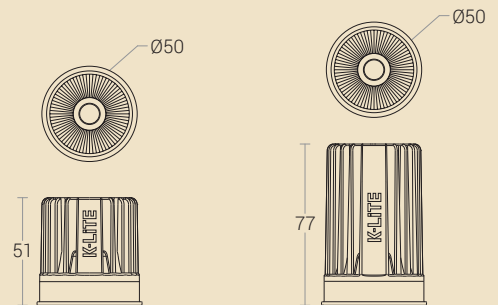


ID : 8177 / 8351 , 7W



ID : 8178 / 8352 , 12W

### Dimension Sketch



### Photometric Data Cone diagram

