

"Genesis" is an innovative design options to provide visual integration with the environment. Aesthetically designed sturdy construction ensures a long life against all weather condition, maintaining initial performances through the lifetime of the installation.

### Product Description

- The luminaire body made of die-cast aluminium alloy with decorative embellishment.
- Translucent acrylic diffuser formed from non-yellowing acrylic sheet.
- The lamp compartment encased inside the top portion and the bottom portion of supporting arms attached to a cast aluminium base.
- Suitable for mounting on 60mm OD pipe.
- Cable entries for through-wiring of mains supply cable
- Prewired with E27 holder and suitable for operating on 240V, 50Hz single phase ac supply.



### Product Benefits

- Elegance, Functionality.
- Moisture proof, insect free.
- The diffuser contributes to the creation of ambiance and to visual comfort by reducing glare.
- Low maintenance cost.

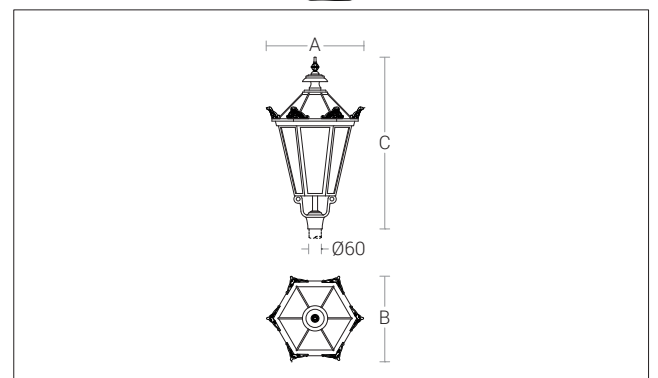
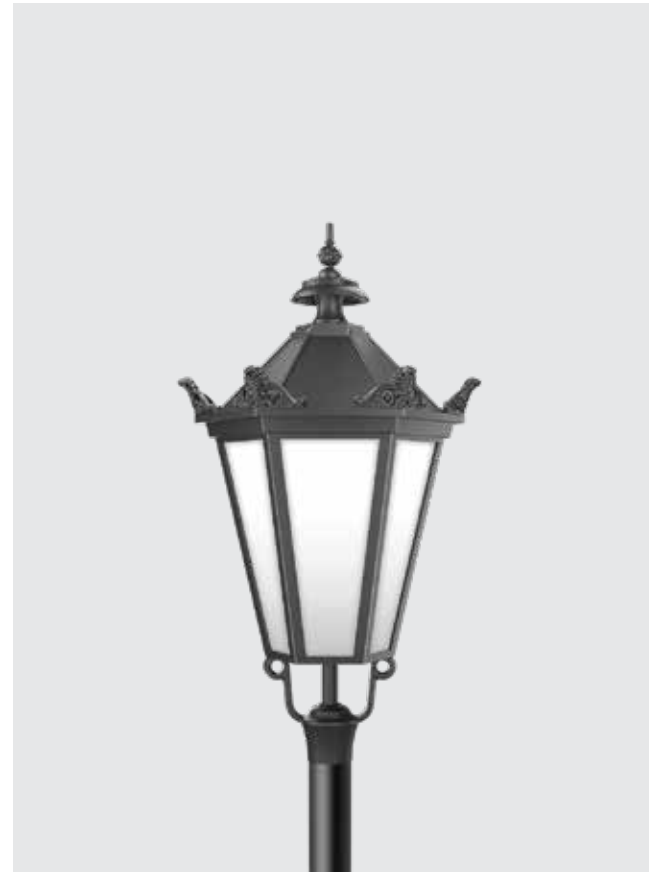
### Area of Application

Illuminating parks, Gardens, commercial complex, Residential roadways, Walkways, Streetscapes & office complex.

### Available Finish

Pure polyester powder coated

- Graphite grey
- Anthracite grey
- Jet black



ID	Wattage	A	B	C
5435	E27-D	Ø484	417	846

Max. Wattage E27 : 30W LED / 45W CFLE