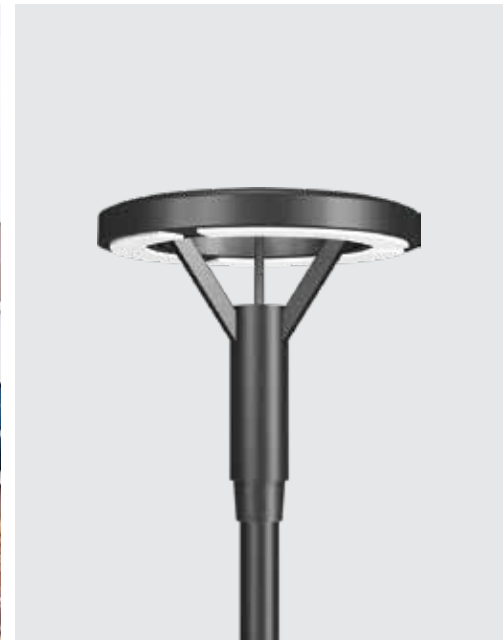




IIM, TRICHY



**Technical Specifications**

**General**

ID	: 5380
System Wattage	: 36W LED
Driver Integral	: Constant Current
Operating Voltage	: 100-277Vac
Operating Temperature	: -15°C~+50°C

**Light Source**

Light Source	: NICHIA
CRI (Ra)	: >80
LED Colour Temperature	: 2700K / 3000K / 4000K / 5700K

**Physical**

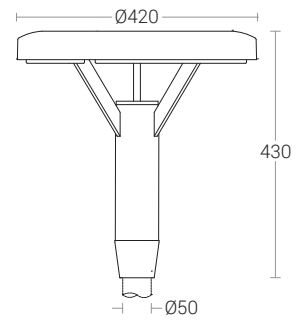
Body	: Extruded aluminium with Spun Aluminium Top
Diffuser	: Translucent Acrylic
Mounting	: Suitable for Mounting on Ø50mm OD Pipe
Finish	: Powder coated RAL 9004 Signal black RAL 9007 Grey aluminium RAL 7016 Anthracite grey Graphite grey

**Driver**

Power Supply	: Integral
Input Voltage	: 230-240Vac
Frequency	: 50-60 Hz
Power Factor	: >0.95
THD	: <10%
Surge Protection	: 4KV
Efficiency	: >85%

**Optical Performance**

Light Distribution	: 120°
--------------------	--------



**Note :** It is our constant endeavor to upgrade the performance of our products. For the latest technical information, IES files and product updates please refer to the website at [www.klite.in](http://www.klite.in)