

Technical Specifications

General

ID : 5373
 System Wattage : 30W LED
 Driver Integral : Constant Current
 Input Voltage : 230-240Vac
 Frequency : 50-60 Hz
 Operating Voltage : 100-277Vac
 Operating Temperature : -15°C~+50°C

Light Source

Light Source : NICHIA
 LED Lumens : 3968 lm
 CRI (Ra) : >80
 LED Colour Temperature : 3000K / 4000K / 5700K

Physical

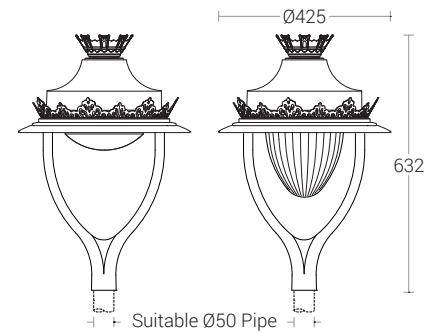
Body : Spun aluminium top cover & Die cast aluminium base
 Diffuser : Translucent acrylic
 Mounting : Suitable for Ø50mm OD Pipe
 Finish : Powder Coated
 Graphite Grey / Jet Black
 Anthracite Grey

Driver

Power Supply : Integral
 Power Factor : >0.9
 THD : <10%
 Surge Protection : 4KV
 Efficiency : >85%

Optical Performance

Colour Temperature : 3000K
 Luminous flux : 2147 lm
 Light Distribution : Symmetrical



Photometric Data

