

A modern heritage post top luminaire. Aesthetically designed sturdy construction ensures a long life against all weather condition, maintaining initial performances through the lifetime of the installation.

Product Description

- The luminaire comprises of specially contoured spun aluminium top cover, gravity die cast aluminium supporting arms with mounting base.
- Die cast Aluminium crown attachment added for aesthetics.
- Non yellowing UV stabilised, V translucent acrylic / V clear acrylic / V clear polycarbonate diffuser.
- Luminaire suitable for mounting on 50mm OD pipe.
- Cable entries for through-wiring of mains supply cable
- Prewired with E27 holder and suitable for operation on 240V, 50Hz single phase ac supply.



Product Benefits

- Elegance, Functionality.
- Corrosion resistant and easy maintenance.
- Quick installation and low assembly costs.
- Dark sky compliant protects pedestrians from glare, in addition to preventing spill light above the horizontal plane.

Area of Application

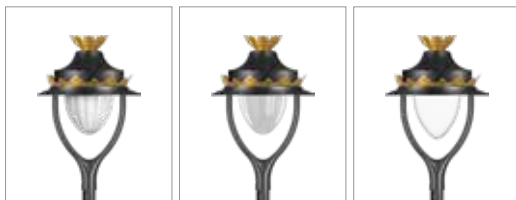
Illuminating parks, Gardens, Commercial complex, Residential roadways, Walkways, Streetscapes & office complex.

Available Finish

Pure polyester powder coated

- Graphite grey
- Anthracite grey
- Jet black

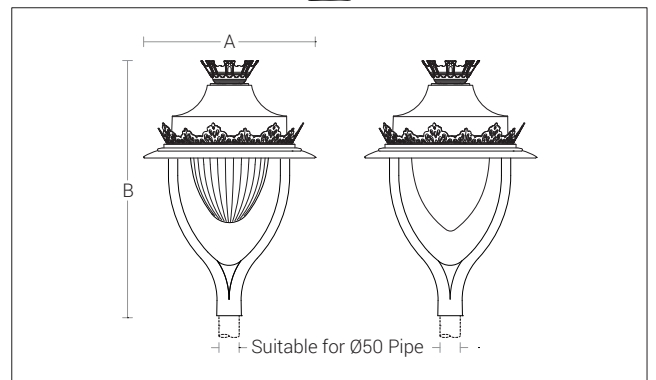
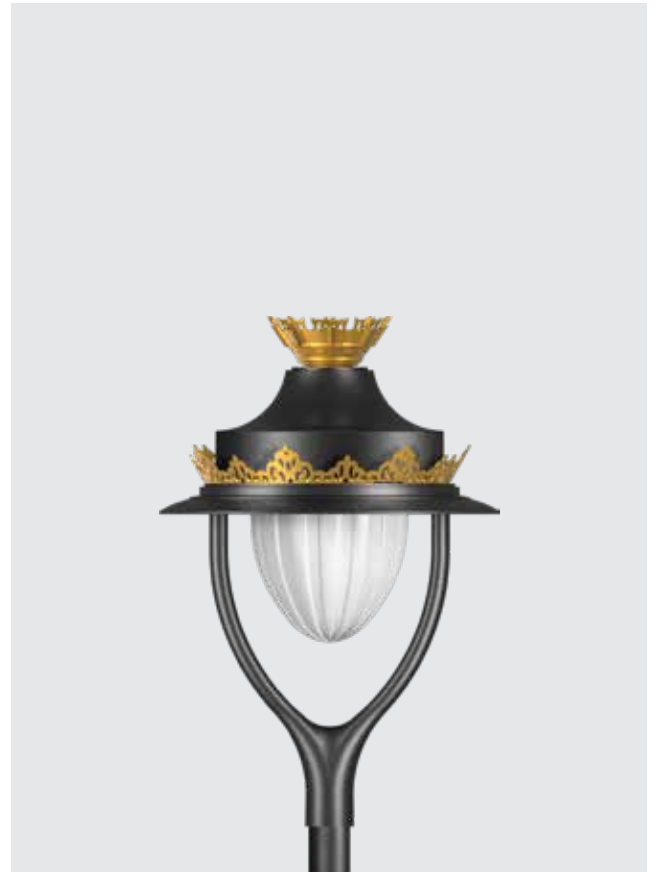
Diffuser Options



A8 - Translucent Acrylic

A9 - Clear Acrylic Diffuser

A12 - Clear PC Diffuser



ID	Wattage	A	B
5372	E27	Ø425	632