

Technical Specifications

General

ID : 5192
 System Wattage : 30W LED
 Driver Integral : Constant Current
 Input Voltage : 230-240Vac
 Frequency : 50-60 Hz
 Operating Voltage : 100-277Vac
 Operating Temperature : -15°C~+50°C

Physical

Body : Spun aluminium top cover & Die cast aluminium base
 Diffuser : Clear acrylic / Clear PC
 Mounting : Suitable for Ø50mm OD Pipe
 Finish : Powder Coated
 Graphite Grey / Jet Black
 Anthracite Grey

Light Source

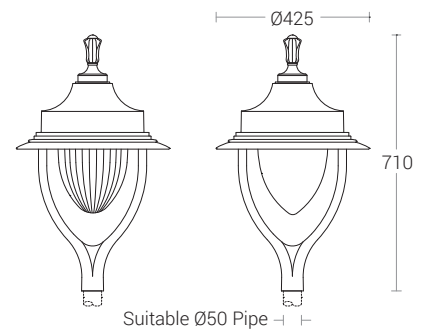
Light Source : OSRAM / LUMILED
 LED Lumens : 4500 lm
 CRI (Ra) : >80
 LED Colour Temperature : 3000K / 4000K / 5700K

Driver

Power Supply : Integral
 Power Factor : >0.95
 THD : <10%
 Surge Protection : 4KV
 Efficiency : >85%

Optical Performance

Colour Temperature : 3000K / 4000K / 5700K
 Luminous flux : 3638 / 3664 / 3700 lm
 Light Distribution : Type IV



Photometric Data

