



JAIPUR CHAUPATI



**Technical Specifications**

**General**

ID : 5040  
 System Wattage : 60W LED  
 Driver Integral : Constant Current  
 Operating Voltage : 100-277Vac  
 Operating Temperature : -15°C~+50°C

**Light Source**

Light Source : NICHIA  
 CRI (Ra) : >80  
 LED Colour Temperature : 2700K / 3000K / 4000K / 5700K

**Physical**

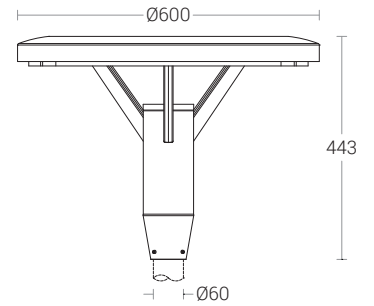
Body : Extruded aluminium with Spun Aluminium Top  
 Diffuser : Translucent Acrylic  
 Mounting : Suitable for Mounting on Ø60mm OD Pipe  
 Finish : Powder coated  
 RAL 9004 Signal black  
 RAL 9007 Grey aluminium  
 RAL 7016 Anthracite grey  
 Graphite grey

**Driver**

Power Supply : Integral  
 Input Voltage : 230-240Vac  
 Frequency : 50-60 Hz  
 Power Factor : >0.95  
 THD : <10%  
 Surge Protection : 6KV  
 Efficiency : >88%

**Optical Performance**

Light Distribution : 120°



**Note :** It is our constant endeavor to upgrade the performance of our products. For the latest technical information, IES files and product updates please refer to the website at [www.klite.in](http://www.klite.in)