

A modern heritage post top luminaire. Aesthetically designed sturdy construction ensures a long life against all weather condition, maintaining initial performances through the lifetime of the installation.

Product Description

- The luminaire comprises of specially contoured spun aluminium top cover.
- Pressure diecast aluminium magudam attachment added for aesthetics.
- Non-yellowing UV stabilised translucent acrylic diffuser.
- The lamp compartment encased inside the top portion and the bottom portion attached to a mounting base.
- Suitable for mounting on 50mm OD pipe.
- Cable entries for through-wiring of mains supply cable
- Prewired with E27 holder and suitable for operating on 240V, 50Hz single phase ac supply.



Product Benefits

- Elegance, Functionality.
- The diffuser contributes to the creation of ambiance and to visual comfort by reducing glare.
- Low maintenance cost.
- Dark sky compliant protects pedestrians from glare, in addition to preventing spill light above the horizontal plane.

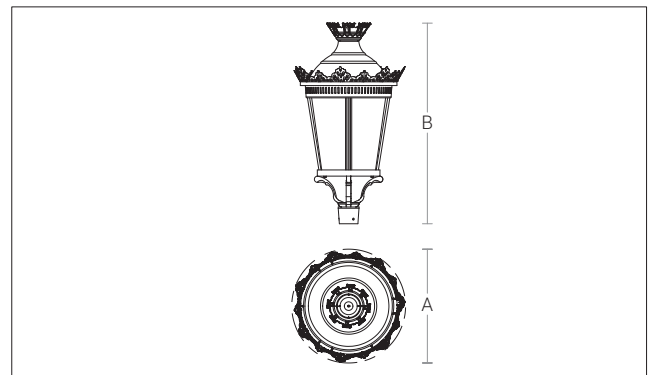
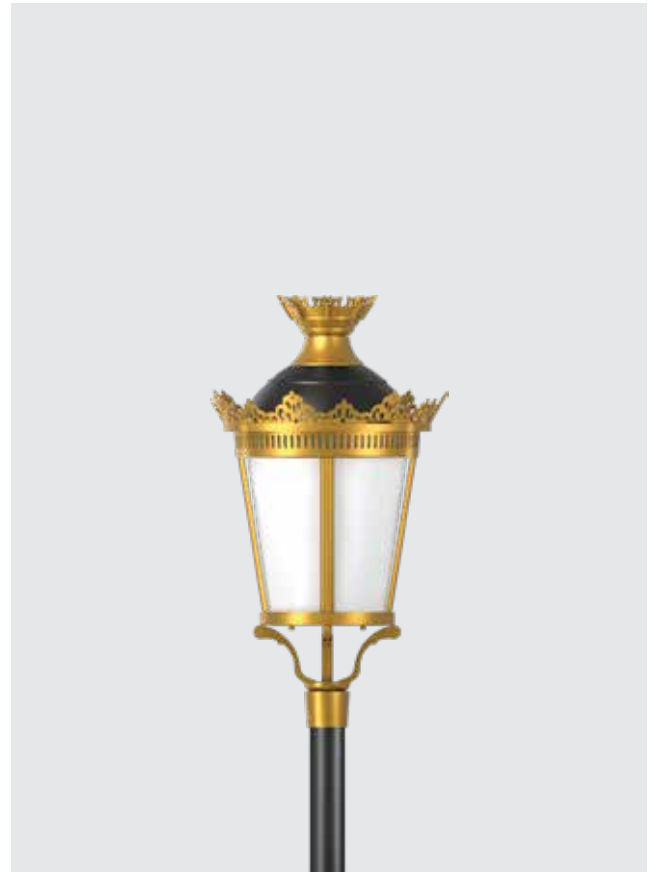
Area of Application

Illuminating parks, Gardens, commercial complex, Pathways in residential buildings, Walkways, Streetscapes & office complex.

Available Finish

Pure polyester powder coated

- Graphite grey & Gold
- Anthracite grey & Gold
- Jet black & Gold



ID	Wattage	A	B
4920	E27-D	Ø367	647

Max. Wattage E27 : 30W LED / 45W CFLE