

A modern heritage post top luminaire. Aesthetically designed sturdy construction ensures a long life against all weather condition, maintaining initial performances through the lifetime of the installation.

Product Description

- The luminaire housing made of gravity die cast aluminium top cover, decorative knob & supporting arms.
- Textured / Translucent acrylic diffuser.
- The lamp compartment encased inside the top portion and the bottom portion attached to a gravity die cast aluminium mounting base.
- Suitable for mounting on 50mm OD pipe.
- Cable entries for through-wiring of mains supply cable
- Prewired with E27 holder and Suitable for operation on 240V, 50Hz single phase ac supply.



Product Benefits

- Elegant, Robust design
- Moisture proof, insect free.
- The diffuser contributes to the creation of ambiance and to visual comfort by reducing glare.
- Low maintenance cost.

Area of Application

Illuminating parks, Gardens, commercial complex, Pathways in residential buildings, office complex & Entrances.

Available Finish

Pure polyester powder coated

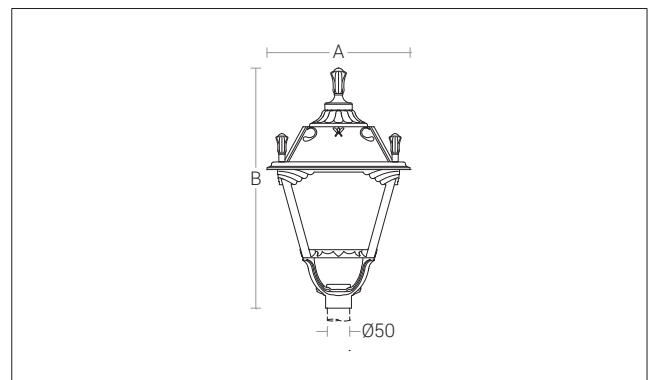
- Graphite grey
- Anthracite grey
- Jet black

Diffuser Options



C2 - Translucent Diffuser

C1 - Textured Diffuser



ID	Wattage	A	B
4635 C1/C2	E27	□325	545