

**Technical Specifications**

**General**

ID	: 4621
System Wattage	: 200W LED
Driver Integral	: Constant Current
Input Voltage	: 230-240Vac
Frequency	: 50-60Hz
Operating Voltage	: 100-277Vac
Operating Temperature	: -15°C~+50°C

**Physical**

Body	: Die-cast aluminium
Diffuser	: Bowl Shaped Clear Polycarbonate
Mounting	: Suitable for mounting 60mm dia tube
Finish	: Powder coated Jet black / Graphite grey Anthracite grey

**Light Source**

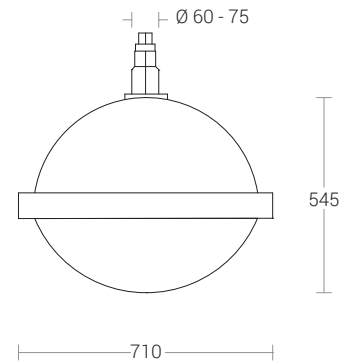
Light Source	: OSRAM / LUMILED
LED Lumens	: 30000 lm
CRI (Ra)	: >80
LED Colour Temperature	: 3000K / 4000K / 5700K

**Driver**

Power Supply	: Integral
Power Factor	: >0.95
THD	: <10%
Surge Protection	: 6KV
Efficiency	: >85%

**Optical Performance**

Colour Temperature	: 3000K
Luminous flux	: 23200 lm
Optical Distribution	: Type IV, Asy



**Photometric Data**

