

OPEN SOURCE

**Technical Specifications**

**General**

ID	: 4520
System Wattage	: 30W LED
Driver Integral	: Constant Current
Operating Voltage	: 100-277Vac
Operating Temperature	: -15°C~+50°C

**Physical**

Body	: Spun aluminium top cover & Extruded aluminium
Diffuser	: Clear acrylic
Mounting	: Suitable for Mounting on Ø60mm OD Pipe
Finish	: Powder coated RAL 9004 Signal black RAL 9007 Grey aluminium RAL 7016 Anthracite grey Graphite grey

**Light Source**

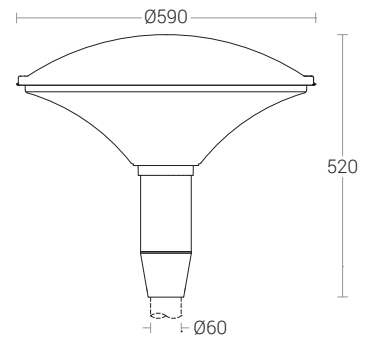
Light Source	: NICHIA
CRI (Ra)	: ≥80
LED Colour Temperature	: 2700K / 3000K / 4000K / 5700K

**Driver**

Power Supply	: Integral
Input Voltage	: 230-240Vac
Frequency	: 50-60Hz
Power Factor	: >0.95
THD	: <10%
Surge Protection	: 4KV
Efficiency	: >88%

**Optical Performance**

Light Distribution	: Symmetrical
--------------------	---------------



**Note :** It is our constant endeavor to upgrade the performance of our products. For the latest technical information, IES files and product updates please refer to the website at [www.klite.in](http://www.klite.in)