

**Technical Specifications**

**General**

ID : 4518  
 System Wattage : 50W LED  
 Driver Integral : Constant Current  
 Input Voltage : 230-240Vac  
 Frequency : 50-60 Hz  
 Operating Voltage : 100-277Vac  
 Operating Temperature : -15°C~+50°C

**Physical**

Body : Spun aluminium top cover & Die cast aluminium base  
 Diffuser : Clear acrylic / Clear PC  
 Mounting : Suitable for Ø50mm OD Pipe  
 Finish : Powder Coated  
 Graphite Grey / Jet Black  
 Anthracite Grey

**Light Source**

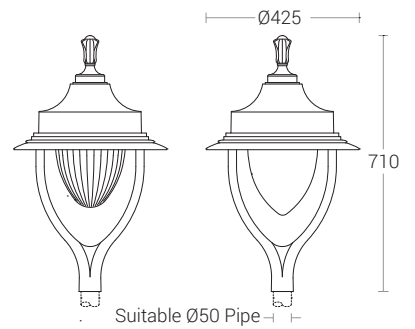
Light Source : OSRAM / LUMILED  
 LED Lumens : 6825 lm  
 CRI (Ra) : >80  
 LED Colour Temperature : 3000K / 4000K / 5700K

**Driver**

Power Supply : Integral  
 Power Factor : >0.95  
 THD : <10%  
 Surge Protection : 6KV  
 Efficiency : >85%

**Optical Performance**

Colour Temperature : 3000K / 4000K / 5700K  
 Luminous flux : 5800 / 6031 / 6039 lm  
 Light Distribution : Type IV



**Photometric data**

