



Technical Specifications

General

ID : 4452
 System Wattage : 200W LED
 Driver Integral : Constant Current
 Operating Voltage : 110-300Vac
 Operating Temperature : -15°C~+50°C

Physical

Body : Spun aluminium & AL sheet
 Diffuser : Polycarbonate Optical Lens
 Mounting : Suitable for 88.9mm
 OD pole.

Finish

: Powder coated
 RAL 9004 Signal black
 RAL 9007 Grey aluminium
 RAL 7016 Anthracite grey

Light Source

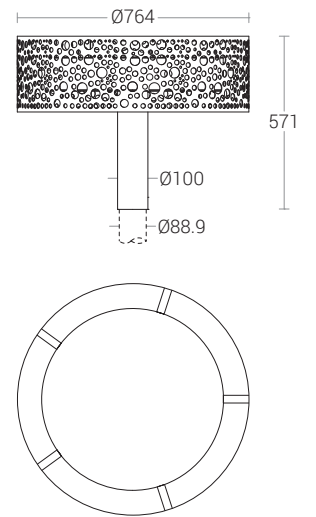
Light Source : LUMILEDS / OSRAM
 CRI (Ra) : ≥70
 LED Colour Temperature : 3000K / 4000K / 5700K

Driver

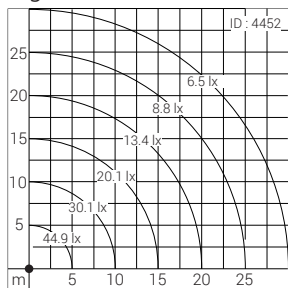
Power Supply : Integral
 Input Voltage : 230-240Vac
 Frequency : 50-60 Hz
 Power Factor : >0.95
 THD : <10%
 Surge Protection : 6KV
 Efficiency : >85%

Optical Performance

Light Distribution : Symmetrical



Light Distribution



Applied Photometry : H=10m