

**Technical Specifications**

**General**

ID : 4451  
 System Wattage : 200W LED  
 Driver Integral : Constant Current  
 Operating Voltage : 110-300Vac  
 Operating Temperature : -15°C~+50°C

**Physical**

Body : Spun aluminium & Die-cast aluminium  
 Diffuser : Polycarbonate Optical Lens  
 Mounting : Suitable for 88.9mm OD pole.  
 Finish : Powder coated  
 RAL 9004 Signal black  
 RAL 9007 Grey aluminium  
 RAL 7016 Anthracite grey

**Light Source**

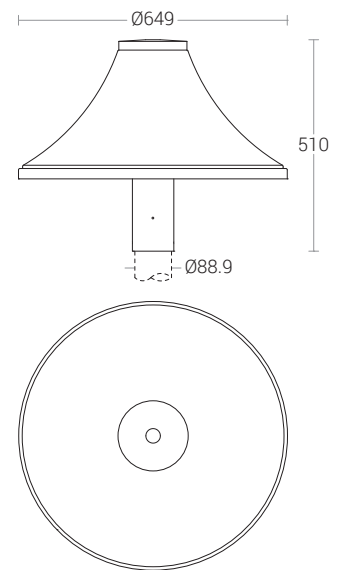
Light Source : LUMILEDS / OSRAM  
 CRI (Ra) : ≥70  
 LED Colour Temperature : 3000K / 4000K / 5700K

**Driver**

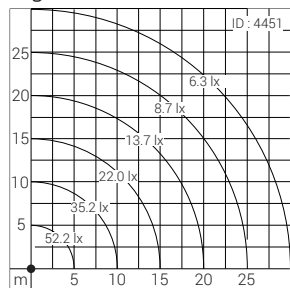
Power Supply : Integral  
 Input Voltage : 230-240Vac  
 Frequency : 50-60 Hz  
 Power Factor : >0.95  
 THD : <10%  
 Surge Protection : 6KV  
 Efficiency : >85%

**Optical Performance**

Light Distribution : Symmetrical



**Light Distribution**



Applied Photometry : H=10m