



Technical Specifications

General

ID	: 4448
System Wattage	: 200W LED
Driver Integral	: Constant Current
Input Voltage	: 230-240Vac
Frequency	: 50-60Hz
Operating Voltage	: 110-300Vac
Operating Temperature	: -15°C~+50°C

Physical

Body	: Aluminium
Diffuser	: Polycarbonate Optical Lens
Mounting	: Suitable for mounting on Ø76 / Ø88.9 / □72 / □91
Finish	: Powder Coated Graphite Grey / Jet Black Anthracite Grey

Light Source

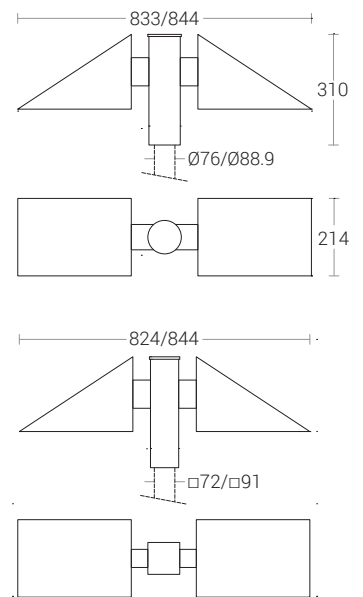
Light Source	: LUMILEDS / OSRAM
CRI (Ra)	: ≥70
LED Colour Temperature	: 3000K / 4000K / 5700K

Driver

Power Supply	: Integral
Power Factor	: >0.95
THD	: <10%
Surge Protection	: 6KV
Efficiency	: >88%

Optical Performance

Light Distribution	: Type III
--------------------	------------



Note : It is our constant endeavor to upgrade the performance of our products. For the latest technical information, IES files and product updates please refer to the website at www.klite.in