



OPEN SOURCE

**Technical Specifications**

**General**

ID : 4433  
 System Wattage : 100W LED  
 Driver Integral : Constant Current  
 Operating Voltage : 100-265Vac  
 Operating Temperature : -15°C~+50°C

**Physical**

Body : Extruded Aluminium  
 Diffuser : Polycarbonate Optical Lens  
 Mounting : Suitable for mounting on  
 Ø76 / Ø88.9 / □72 / □91  
 Finish : Powder coated  
 RAL 9004 Signal black  
 RAL 9007 Grey aluminium  
 RAL 7016 Anthracite grey  
 Graphite grey

**Light Source**

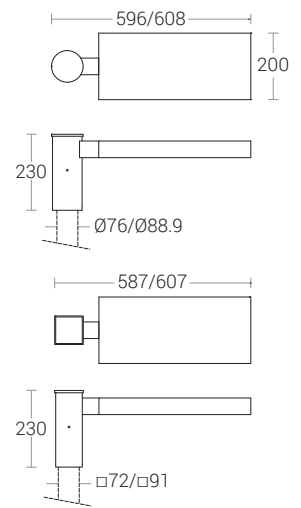
Light Source : LUMILEDS / OSRAM  
 CRI (Ra) : ≥70  
 LED Colour Temperature : 2700K / 3000K / 4000K  
 / 5700K

**Driver**

Power Supply : Integral  
 Input Voltage : 230-240Vac  
 Frequency : 50-60Hz  
 Power Factor : >0.9  
 THD : <10%  
 Surge Protection : 6KV  
 Efficiency : >85%

**Optical Performance**

Light Distribution : Type III



**Note :** It is our constant endeavor to upgrade the performance of our products. For the latest technical information, IES files and product updates please refer to the website at [www.klite.in](http://www.klite.in)