



Technical Specifications

General

ID : 4389 / 4383
 System Wattage : 24W / 48W LED
 Driver Integral : Constant Current
 Operating Voltage : 100-300Vac
 Operating Temperature : -15°C~+50°C

Light Source

Light Source : NICHIA
 CRI (Ra) : >80
 LED Colour Temperature : 3000K / 4000K / 5700K

Physical

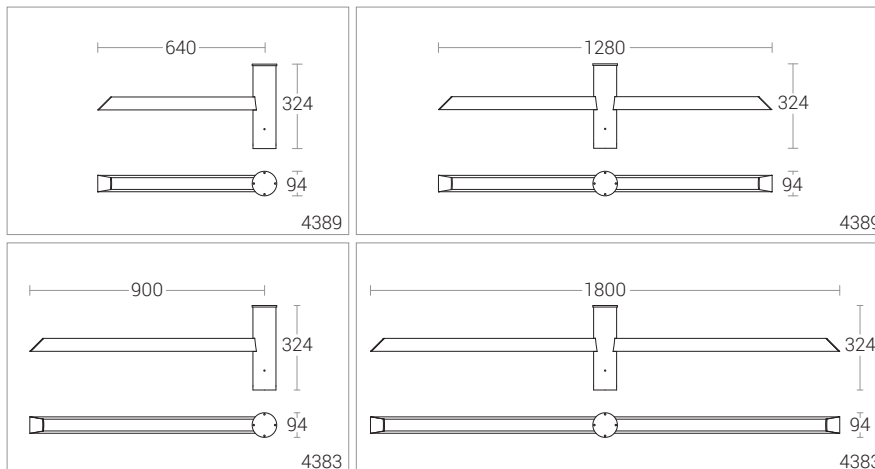
Body : Extruded Aluminium
 Diffuser : Polycarbonate Optical Lens
 Mounting : Suitable for mounting on Ø76mm OD pole
 Finish : Powder coated
 RAL 9004 Signal black
 RAL 9007 Grey aluminium
 RAL 7016 Anthracite grey

Driver

Power Supply : Integral
 Input Voltage : 230-240Vac
 Frequency : 50-60 Hz
 Power Factor : 0.95
 THD : <10%
 Surge Protection : 4KV
 Efficiency : >80%

Optical Performance

Light Distribution : Type III Medium



Photometric Data

