

Magnum Street Light is a special purpose outdoor luminaire, integral model, totally weather proof aesthetically contoured. Improved long lasting protection against ingress of dust / moisture / insects inside optical compartment.

### Technical Specifications

- Luminaire body made of die-cast aluminium.
- Bowl shaped clear polycarbonate diffuser.
- Luminaire integrated with 200W LED.
- Suitable for mounting (adjustable from 0°-90° for upside-down and horizontal installation) on to 60-75mm dia tube.
- Cable entries for through-wiring of mains supply cable.
- Integral constant current power supply
- Prewired with LED driver and suitable for operation on 240V, 50Hz single phase ac supply.
- Ordering guide : KL-4621-CCT (Colour Temperature)
- Available CCT : 3000K, 4000K, 5700K



### Product Benefits

- High luminous efficiency at reduced wattage.
- Functionally versatile, strong and stable.
- Corrosion resistant and easy maintenance.
- Environmental friendly.
- Quick installation and low assembly costs.
- Dark sky compliant protects pedestrians from glare, in addition to preventing spill light above the horizontal plane.

### Area of Application

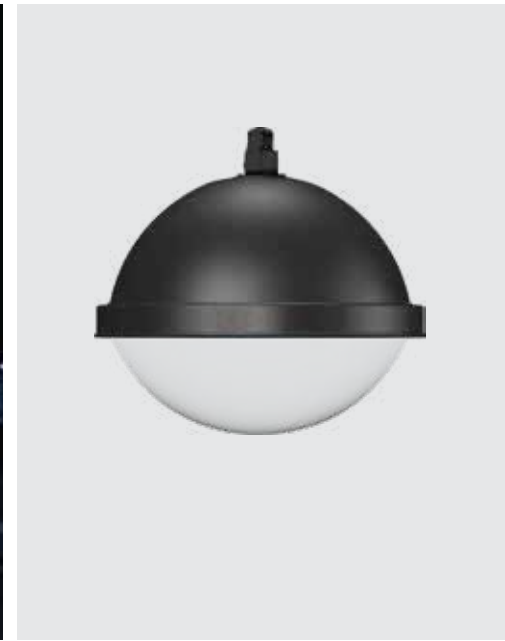
Street Lighting, Expressways, Private driveways, Residential Area Lighting, Courtyards, Public area lighting like parks & Squares

### Available Finish

Pure polyester powder coated

- Graphite grey
- Anthracite grey
- Jet black





**Technical Specifications**

**General**

ID	: 4621
System Wattage	: 200W LED
Driver Integral	: Constant Current
Input Voltage	: 230-240Vac
Frequency	: 50-60Hz
Operating Voltage	: 100-277Vac
Operating Temperature	: -15°C~+50°C

**Physical**

Body	: Die-cast aluminium
Diffuser	: Bowl Shaped Clear Polycarbonate
Mounting	: Suitable for mounting 60mm dia tube
Finish	: Powder coated Jet black / Graphite grey Anthracite grey

**Light Source**

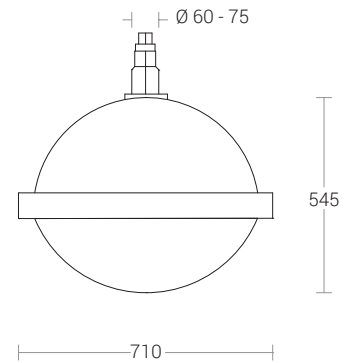
Light Source	: OSRAM / LUMILED
LED Lumens	: 30000 lm
CRI (Ra)	: >80
LED Colour Temperature	: 3000K / 4000K / 5700K

**Driver**

Power Supply	: Integral
Power Factor	: >0.95
THD	: <10%
Surge Protection	: 6KV
Efficiency	: >85%

**Optical Performance**

Colour Temperature	: 3000K
Luminous flux	: 23200 lm
Optical Distribution	: Type IV, Asy



**Photometric Data**

