

"Alpina" pendant luminaires are a perfect fit for varied indoor lighting applications. The spun aluminium housing is ideal for better thermal management. A perfect range of luminaires suitable for both commercial and residential applications.

Product Description

- Luminaire made of extruded aluminium (grade 6063) with die-cast aluminium closing ring and non corrosive SS fasteners.
- The reflector formed out of high purity and highly polished aluminium, electrochemically brightened and anodised for high reflection.
- Cable entries for through-wiring of mains supply cable.
- Die-cast aluminium ceiling mounting cup with stainless steel suspension kit (1 meter).
- Prewired with E27 holder and suitable for operating on 240V, 50Hz single phase ac supply.



Product Benefits

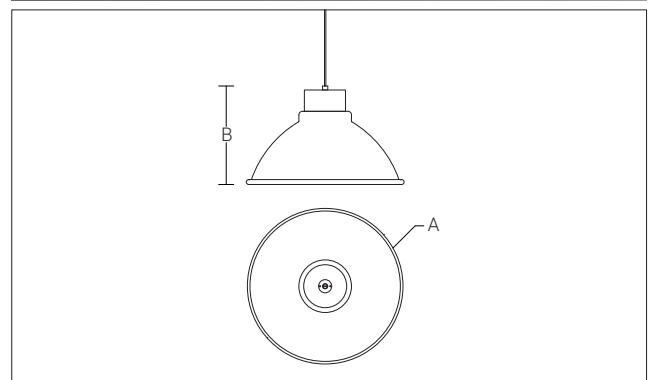
- Attractive high quality housing.
- Sturdy construction in order to maintain performance of the luminaire and to reduce maintenance costs.
- Quick & simple installation.
- Flexible deployment options with a wide spectrum of applications.

Area of Application

Corporate Offices, Malls, Restaurants, Receptions, Corridors, Commercial & Business Centers.

Available Finish

Epoxy polyester powder coated Black & polyurethane yellow paint.



ID	Wattage	A	B
3045	E27 Holder	Ø360	236