

The Navi Midi - Flood Light is a powerful and efficient lighting fixture designed for a wide range of applications. It delivers a bright, focused light suitable for outdoor and large-area illumination. It provides robust protection against dust and water, ensuring reliable performance in various weather conditions. The Navi Midi - Flood Light is built to withstand mechanical impacts, enhancing its durability and longevity.

#### MATERIAL

Body	: Pressure die-cast aluminium & Extruded aluminium alloy (grade 6063) tube.
Bracket	: Stainless Steel
Impact Protection	: IK07
Ingress Protection	: IP65
Diffuser	: Clear Toughened Glass
Gasket	: Clear Silicone
Mounting	: Surface - Floor

#### ELECTRICAL

Driver	: Standard
Power Supply	: Integral
Input Voltage	: 230-240Vac / 50-60 Hz
Surge	: 6KV

#### PRODUCT CONFIGURATIONS

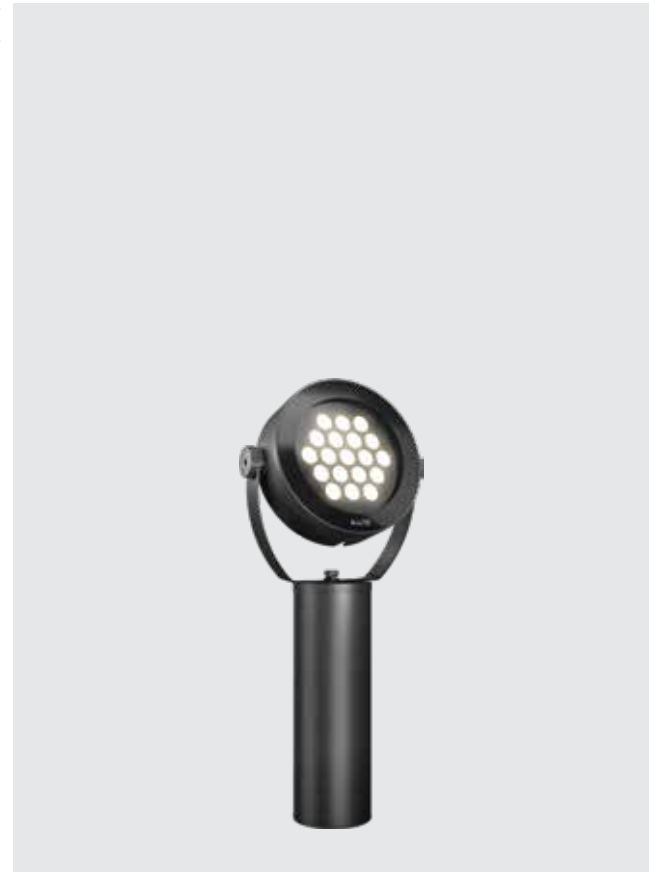
Wattage	: 100W (Upto 120W)
Beam Angle	: 12° / 24° / 40°
CCT	: 2700K / 3000K / 4000K / 5700K
LED Life Time	: L70 B10 60,000 H

#### AREA OF APPLICATION

Architectural and building facade lighting, Pathways, Parks, Sculptures, Structures and Security lighting

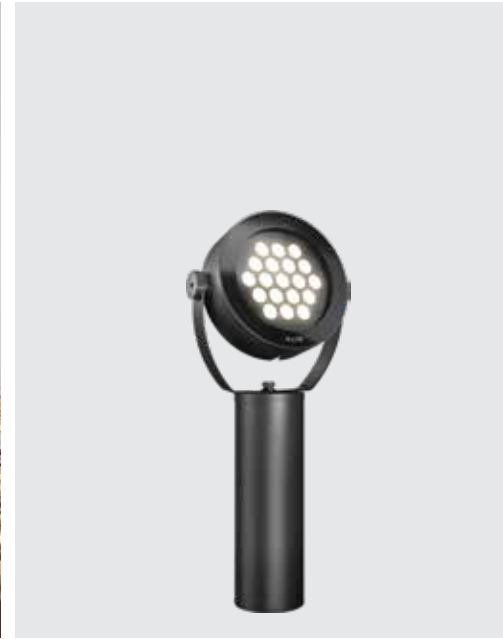
#### AVAILABLE FINISH

Pure polyester powder coated  
RAL 9004 Black  
RAL 9007 Grey aluminium  
RAL 7016 Anthracite grey  
Graphite grey





THIRUVALLUVAR STATUE, COIMBATORE



**Technical Specifications**

**General**

ID : 24468  
 System Wattage : 100W (Upto 120W)  
 Driver Integral : Constant Current  
 Operating Voltage : 100-300Vac  
 Operating Temperature : -15°C~+50°C

**Light Source**

Light Source : NICHIA  
 CRI (Ra) : ≥80  
 LED Colour Temperature : 2700K / 3000K / 4000K / 5700K

**Physical**

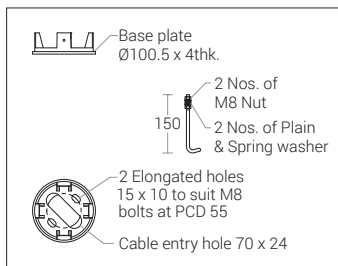
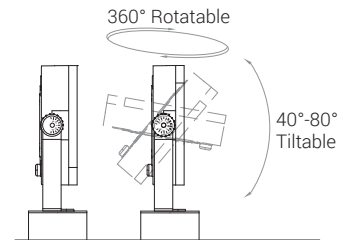
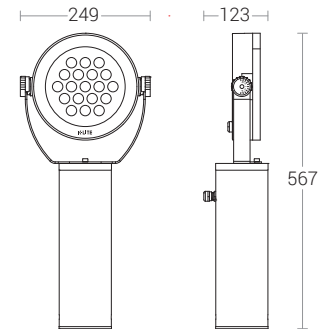
Body : Die-Cast Aluminium & Extruded Aluminium Tube  
 Diffuser : Clear Toughened Glass  
 Mounting : Surface - Floor  
 Finish : Powder coated  
 RAL 9004 Black  
 RAL 9007 Grey aluminium  
 RAL 7016 Anthracite grey  
 Graphite grey

**Driver**

Power Supply : Integral  
 Input Voltage : 230-240Vac  
 Frequency : 50-60 Hz  
 Power Factor : >0.95  
 THD : <10%  
 Surge Protection : 6KV  
 Efficiency : >80%

**Optical Performance**

Beam Angle : 12° / 24° / 40°



**Note :** It is our constant endeavor to upgrade the performance of our products. For the latest technical information, IES files and product updates please refer to the website at [www.klite.in](http://www.klite.in)