



**spark mini**

The Spark Mini pathway luminaire transcends the realm of simply providing illumination. It boasts an innovative design that seamlessly integrates with its surroundings, fostering a visually cohesive environment. Unlike purely functional pathway lights, the Spark Mini enhances the aesthetic appeal of outdoor spaces. By minimizing light trespass or spillover, the Spark Mini promotes energy efficiency and reduces light pollution.

#### MATERIAL

Body	: Extruded aluminium alloy (grade 6063)
Impact Protection	: IK10
Ingress Protection	: IP65
Lens	: Polycarbonate optical lens
Mounting	: Gravity die-cast aluminium mounting clamp suitable for mounting on 88.9mm OD pole.

#### ELECTRICAL

Driver	: Standard
Power Supply	: Integral
Input Voltage	: 230-240Vac / 50-60 Hz
Surge	: 4KV

#### PRODUCT CONFIGURATIONS

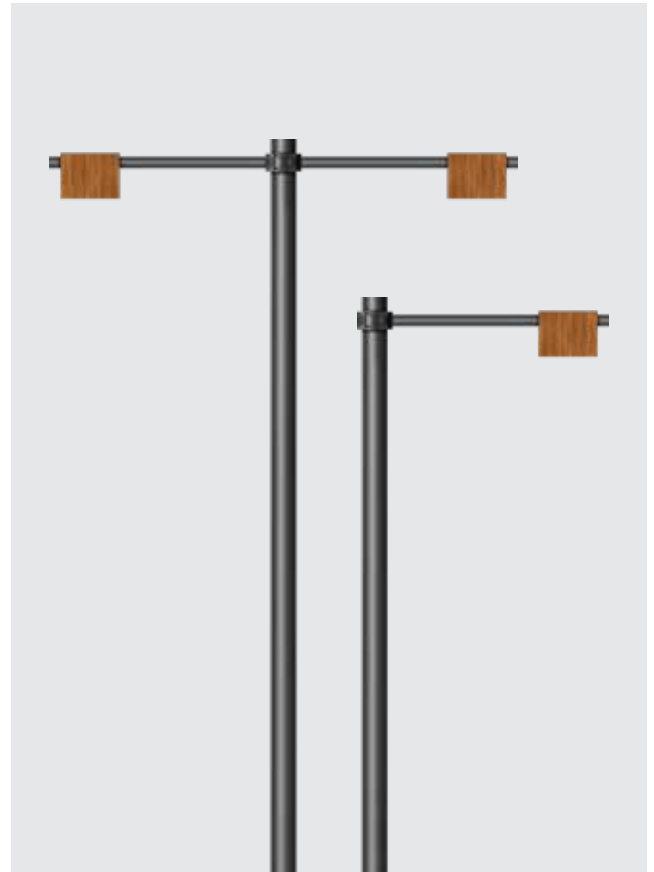
Wattage	: 24W / 48W
Light Distribution	: Type III Medium
CCT	: 2700K / 3000K / 4000K / 5700K
LED Life Time	: L70 B10 60,000 H

#### AREA OF APPLICATION

Illuminating parks, Gardens, Private driveways, Pathways in Residential buildings.

#### AVAILABLE FINISH

Pure polyester powder coated  
RAL 9004 Signal black & Teak  
RAL 9007 Grey aluminium & Teak  
RAL 7016 Anthracite grey & Teak  
Graphite grey & Teak





OPEN SOURCE

**Technical Specifications**

**General**

ID : 4453  
 System Wattage : 24W / 48W LED  
 Driver Integral : Constant Current  
 Operating Voltage : 100-300Vac  
 Operating Temperature : -15°C~+50°C

**Light Source**

Light Source : NICHIA  
 CRI (Ra) : ≥80  
 LED Colour Temperature : 2700K / 3000K / 4000K / 5700K

**Physical**

Body : Extruded Aluminium  
 Diffuser : Polycarbonate Optical Lens  
 Mounting : Suitable for mounting on Ø88.9mm pole  
 Finish : Powder Coated  
 RAL 9004 Signal black & Teak  
 RAL 9007 Grey aluminium & Teak  
 RAL 7016 Anthracite grey & Teak  
 Graphite grey & Teak

**Driver**

Power Supply : Integral  
 Input Voltage : 230-240Vac  
 Frequency : 50-60 Hz  
 Power Factor : >0.95  
 THD : <10%  
 Surge Protection : 4KV  
 Efficiency : >80%

**Optical Performance**

Light Distribution : Type III Medium

