

Surface mounted LED luminaires suitable for wall, ceiling & floor applications which adds elegance to commercial, historical and modern architecture.

### Product Description

- Luminaire body made of aluminium alloy (grade 6063) of high strength and heat dissipation performance.
- Safety clear toughened glass.
- Silicone gasket.
- Equipped to take multiple optics for varied wall grazing & wall washing distribution
- All external screws used are in stainless steel.
- Mounting bracket to facilitate proper aiming of the luminaire at desired angle during installation.
- Wall, ceiling and floor mount options with adjustable brackets.
- Constant voltage non integral power supply
- Luminaire power cord for single colour 2 x 1.0mm<sup>2</sup> rubber wire of 0.5 metre length.
- LED versions available with 3000K (Other CCT's on request).
- Low Voltage at 24V dc assures safety.



### Product Benefits

- Versatile use, Simple installation
- Varied optics
- Sustainable LED technology offers durability and optimal light output with low power consumption.

### Areas of Application

Building Facade, Architectural focal points, Bridges, Landscapes, Architectural elements.

### Available Finish

Pure polyester powder coated grey



**Note :** It is our constant endeavor to upgrade the performance of our products. For the latest technical information, IES files and product updates please refer to the website at [www.klite.in](http://www.klite.in)



### Technical Specifications

#### General

ID	: 4327
System Wattage	: 180W LED
Driver Non-Integral	: Constant Voltage
Operating Voltage	: 24Vdc
Operating Temperature	: -10°C~+50°C

#### Light Source

Light Source	: CREE
CRI (Ra)	: >80
LED Colour Temperature	: 3000K (Other CCT's on request)

#### Physical

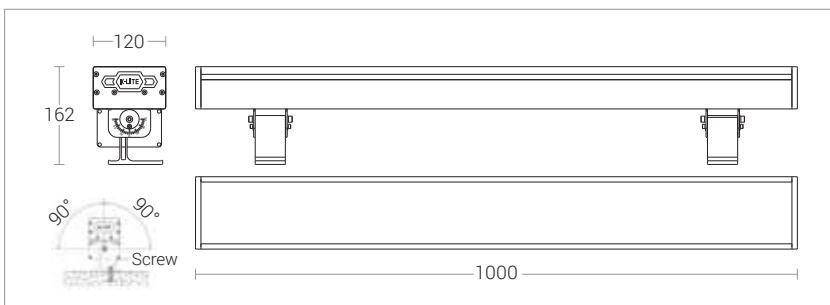
Body	: 6063 Aluminium Alloy
Diffuser	: Clear Toughened Glass
Mounting	: Surface - Bracket
Finish	: Grey

#### Driver

Power Supply	: Non Integral
--------------	----------------

#### Optical Performance

Beam Angle	: 20° / 60°
------------	-------------



Surface mounted LED luminaires suitable for wall, ceiling & floor applications which adds elegance to commercial, historical and modern architecture.

### Product Description

- Luminaire body made of aluminium alloy (grade 6063) of high strength and heat dissipation performance.
- Safety clear toughened glass.
- Silicone gasket.
- Equipped to take multiple optics for varied wall grazing & wall washing distribution
- All external screws used are in stainless steel.
- Mounting bracket to facilitate proper aiming of the luminaire at desired angle during installation.
- Wall, ceiling and floor mount options with adjustable brackets.
- Constant voltage non integral power supply
- Luminaire power cord for RGBW signal wire 5 x 0.5mm<sup>2</sup> rubber wire male female butt joint unilateral 0.5mm length.
- LED versions available with RGBW.
- RGBW DMX512 compatibility
- Low Voltage at 24V dc assures safety.



### Product Benefits

- Versatile use, Simple installation
- Varied optics
- Sustainable LED technology offers durability and optimal light output with low power consumption.

### Areas of Application

Building Facade, Architectural focal points, Bridges, Landscapes, Architectural elements.

### Available Finish

Pure polyester powder coated grey



**Note :** It is our constant endeavor to upgrade the performance of our products. For the latest technical information, IES files and product updates please refer to the website at [www.klite.in](http://www.klite.in)



### Technical Specifications

#### General

ID	: 4327
System Wattage	: 180W LED
Driver Non-Integral	: Constant Voltage
Operating Voltage	: 24Vdc
Operating Temperature	: -10°C~+50°C

#### Light Source

Light Source	: CREE
CRI (Ra) for White light	: >80
LED Colour Temperature	: RGBW

#### Physical

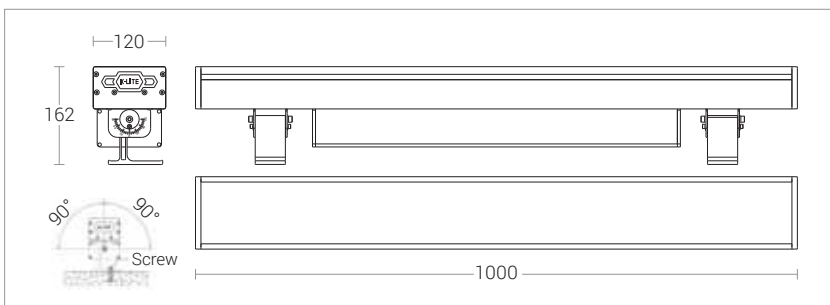
Body	: 6063 Aluminium Alloy
Diffuser	: Clear Toughened Glass
Mounting	: Surface - Bracket
Finish	: Grey

#### Driver

Power Supply	: Non Integral
Control	: DMX512 compatibility

#### Optical Performance

Beam Angle	: 20° / 60°
------------	-------------



## Leva Series

### Accessory for Mono Colour - On Request



8277  
IP67 Interconnection cable  
- 1M with Connector



8278  
M/F connector for power supply  
(0.5M cable)

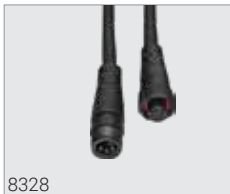


8276  
IP67 End Cap Connector Socket

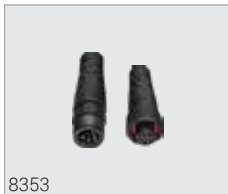
### Accessory for RGBW - On Request



8327  
IP67 Extension cable for RGBW  
- 1M with Connector

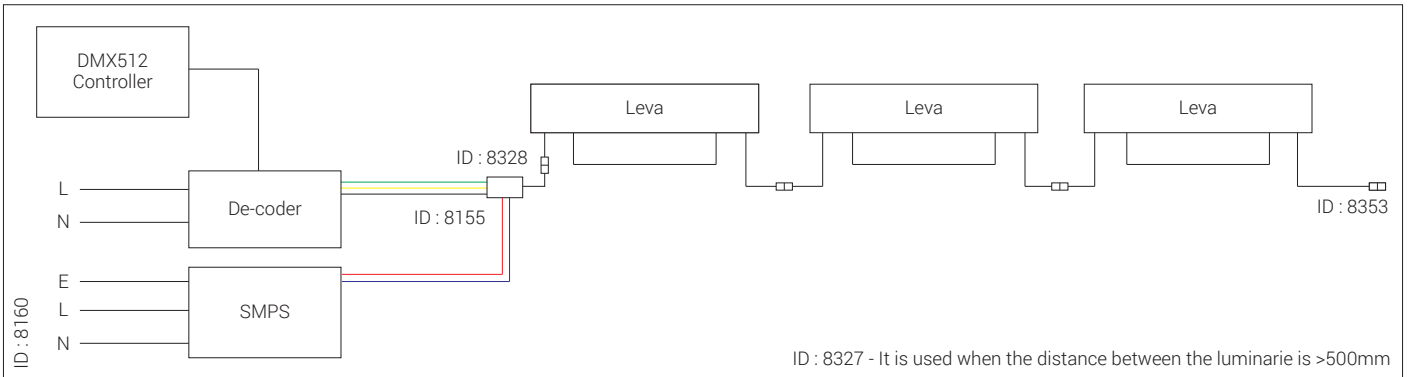


8328  
M/F connector for RGBW  
power supply (0.5M cable)



8353  
M/F End Cap

### RGBW Connection Diagram



Note : Max. distance from SMPS to last luminaire is 20m (65ft) - Including cable length.  
SMPS, De-Coder and DMX512 to be ordered separately

## General Accessories

### Accessory - On Request



8160  
IP68  
Two way Connector - 3 Pin



8155  
Distribution Box