

"Milano" surface mounted range of wall light. This type shall gracefully outlines the exhibits on display with the interior features of the architecture. Designed to illuminate the surface in front of wall.

Product Description

- Luminaire made of polypropylene.
- Translucent polycarbonate diffuser.
- Polypropylene base for easy installation onto the wall.
- Surface mounting on wall using hardware after connecting to the power supply.
- Cable entries for through-wiring of mains supply cable
- Prewired with E27 holder and suitable for operating on 240V, 50Hz single phase ac supply.



Product Benefits

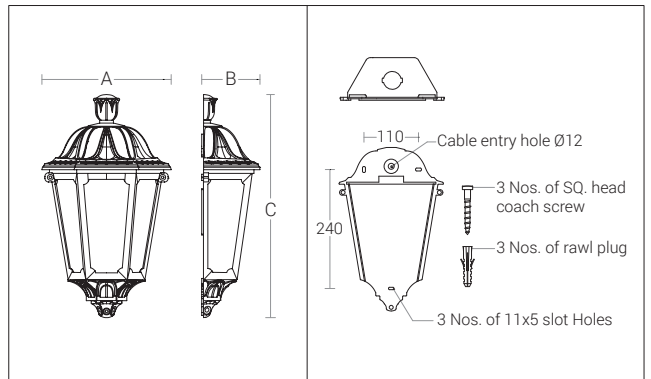
- Quick & simple installation.
- The diffuser contributes to the creation of ambiance and to visual comfort by reducing glare.
- Corrosion resistant and Maintenance free.
- Sturdy construction in order to maintain performance of the luminaire and to reduce maintenance costs.

Area of Application

Lobbies & Foyers, Retail Sector, Residential, Internal passages, Commercial & Business Centers, etc.

Available Finish

Black epoxy polyester powder coating.



ID	Wattage	A	B	C
2819	E27	224	101	386