

"Kayal Mini" pathway luminaire, is an innovative design options to provide visual integration with the environment. High Brightness, LED Light source do not pose any environment risks. Designed for highest efficiency in terms of more lumens at reduced wattages contributing to a Greener World. Product offered asymmetrical light distribution.

Product Description

- Luminaire body made of extruded aluminium alloy (grade 6063) with die cast aluminium components and non corrosive SS fasteners.
- Polycarbonate optical lens.
- Luminaire integrated with 30W LED.
- Suitable for mounting on 76mm / 88.9mm OD pipe, 72mm / 91mm square pipe.
- Extruded aluminium mounting pipe for easy installation onto the pole.
- Cable entries for through-wiring of mains supply cable.
- Integral constant current power supply
- CRI (Ra) : ≥ 70
- Prewired with LED driver and suitable for operating on 240V, 50Hz single phase ac supply.
- Ordering guide : KL-4372-CCT (Colour Temperature)
- Available CCT : 2700K, 3000K, 4000K, 5700K



Product Benefits

- High luminous efficiency at reduced wattage.
- Elegance, Functionality.
- Corrosion resistant and Maintenance free.
- Quick installation and low assembly costs.
- Sustainable LED technology offers durability and optimal light output with low power consumption.

Area of Application

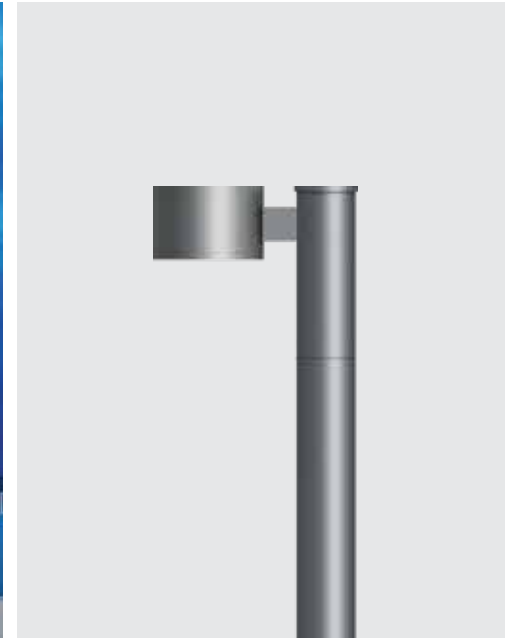
Illuminating parks, Gardens, Private driveways, Commercial complex, Pathways in Residential buildings & office complex.

Available Finish

Pure polyester powder coated

- Graphite grey
- Anthracite grey
- Jet black





Technical Specifications

General

ID : 4372
 System Wattage : 30W LED
 Driver Integral : Constant Current
 Input Voltage : 230-240Vac
 Frequency : 50-60Hz
 Operating Voltage : 100-277Vac
 Operating Temperature : -15°C~+50°C

Physical

Body : Extruded Aluminium
 Diffuser : Polycarbonate Optical Lens
 Mounting : Suitable for mounting on Ø76 / Ø88.9 / □72 / □91
 Finish : Powder Coated
 Graphite Grey / Jet Black
 Anthracite Grey

Light Source

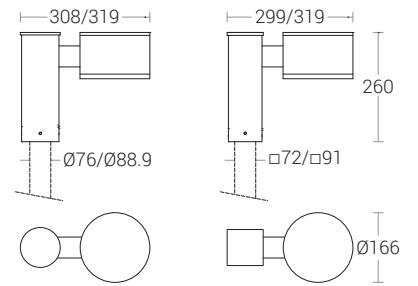
Light Source : LUMILEDS / OSRAM
 CRI (Ra) : >70
 LED Colour Temperature : 2700K / 3000K / 4000K / 5700K

Driver

Power Supply : Integral
 Power Factor : >0.95
 THD : <10%
 Surge Protection : 4KV
 Efficiency : >85%

Optical Performance

Light Distribution : Type IV



Note : It is our constant endeavor to upgrade the performance of our products. For the latest technical information, IES files and product updates please refer to the website at www.klite.in

"Kayal Mini" pathway luminaire, is an innovative design options to provide visual integration with the environment. High Brightness, LED Light source do not pose any environment risks. Designed for highest efficiency in terms of more lumens at reduced wattages contributing to a Greener World. Product offered asymmetrical light distribution.

Product Description

- Luminaire body made of extruded aluminium alloy (grade 6063) with die cast aluminium components and non corrosive SS fasteners.
- Polycarbonate optical lens.
- Luminaire integrated with 60W LED.
- Suitable for mounting on 76mm / 88.9mm OD pipe, 72mm / 91mm square pipe.
- Extruded aluminium mounting pipe for easy installation onto the pole.
- Cable entries for through-wiring of mains supply cable.
- Integral constant current power supply
- CRI (Ra) : ≥ 70
- Prewired with LED driver and suitable for operating on 240V, 50Hz single phase ac supply.
- Ordering guide : KL-4374-CCT (Colour Temperature)
- Available CCT : 2700K, 3000K, 4000K, 5700K



Product Benefits

- High luminous efficiency at reduced wattage.
- Elegance, Functionality.
- Corrosion resistant and Maintenance free.
- Quick installation and low assembly costs.
- Sustainable LED technology offers durability and optimal light output with low power consumption.

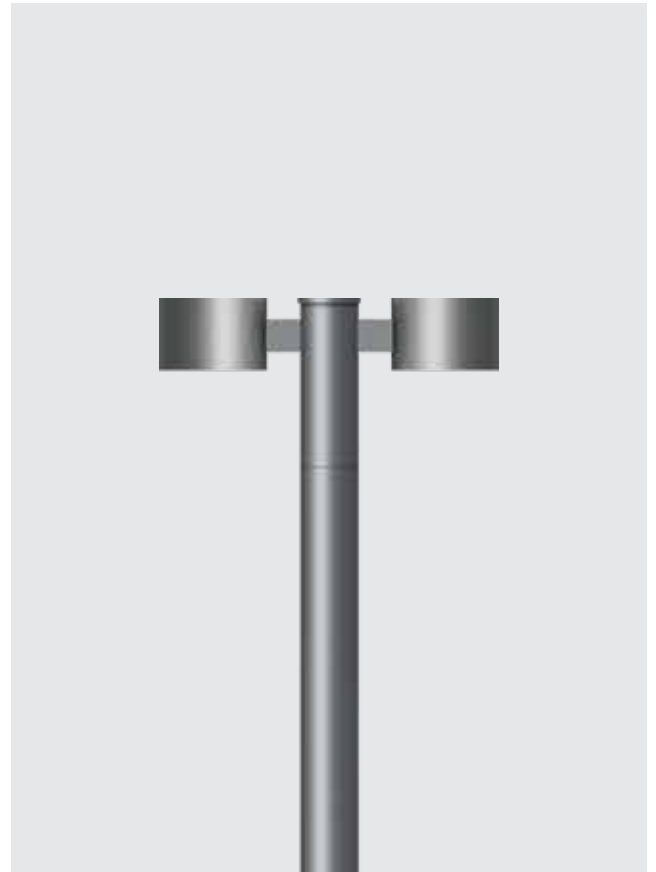
Area of Application

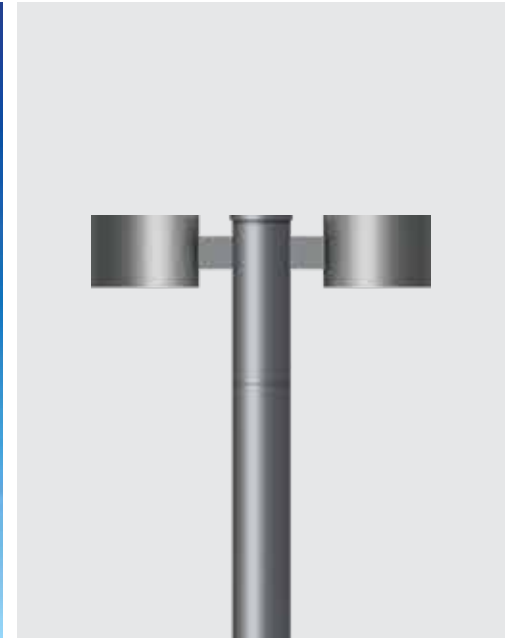
Illuminating parks, Gardens, Private driveways, Commercial complex, Pathways in Residential buildings & office complex.

Available Finish

Pure polyester powder coated

- Graphite grey
- Anthracite grey
- Jet black





Technical Specifications

General

ID : 4374
 System Wattage : 60W LED
 Driver Integral : Constant Current
 Input Voltage : 230-240Vac
 Frequency : 50-60Hz
 Operating Voltage : 100-277Vac
 Operating Temperature : -15°C~+50°C

Physical

Body : Extruded Aluminium
 Diffuser : Polycarbonate Optical Lens
 Mounting : Suitable for mounting on Ø76 / Ø88.9 / □72 / □91
 Finish : Powder Coated
 Graphite Grey / Jet Black
 Anthracite Grey

Light Source

Light Source : LUMILEDS / OSRAM
 CRI (Ra) : >70
 LED Colour Temperature : 2700K / 3000K / 4000K / 5700K

Driver

Power Supply : Integral
 Power Factor : >0.95
 THD : <10%
 Surge Protection : 4KV
 Efficiency : >85%

Optical Performance

Light Distribution : Type IV

