

Elegant column lighting feature, which is suitable for both modern and classic architecture. Ideal for creating orientation with exceptional visual comfort. These luminaires offer general ambient light in open spaces giving a sense of security in night-time. Clean Lines and pure form are the underlying elements in this series of column light, designed to provide rotationally symmetrical illumination, Light emission 360°.

### Technical Specifications

- Luminaire made of extruded aluminium alloy (grade 6063) with die-cast aluminium components and non corrosive SS fasteners.
- Shielded light.
- For optimum illumination, these luminaires can be supplied in different heights.
- Non yellowing UV stabilized translucent polycarbonate diffuser.
- Silicone gasket.
- Die-cast aluminium mounting plate with an anchorage unit made out of hot dip galvanised steel for extra guarantee against corrosion. Luminaire can be aligned on the mounting plate around 360°.
- Cable entries for through-wiring of mains supply cable.
- Integral constant current power supply
- CRI (Ra) : >80 (90 CRI - On Request)
- Prewired with LED driver and suitable for operating on 240V, 50Hz single phase ac supply.
- Ordering guide : KL-7018-CCT (Colour Temperature)
- Available CCT : 2700K, 3000K, 4000K, 5700K



### Product Benefits

- Practical . Elegant . Efficient
- Timeless modern design options.
- Easy to maintain, robust and durable construction.
- Soft diffused lighting protects pedestrians from glare and provides distinctive lighting with exceptional visual comfort.
- Sustainable LED technology offers durability and optimal light output with low power consumption.

### Area of Application

Suitable for Private & Public areas, Illuminating Driveways, Pathways, Building surrounds, Entrances, Squares & Gardens, Promenades.

### Available Finish

Pure polyester powder coated  
RAL 9004 Signal black  
RAL 9007 Grey aluminium  
RAL 7016 Anthracite grey  
Graphite grey





RIYADH METRO OBC ZONE, UAE

**Technical Specifications**

**General**

ID : 7021  
 System Wattage : 24W LED  
 Driver Integral : Constant Current  
 Operating Voltage : 100-277Vac  
 Operating Temperature : -15°C~+50°C

**Physical**

Body : Extruded Aluminium  
 Diffuser : Translucent Polycarbonate  
 Mounting : Surface  
 Finish : Powder coated  
 RAL 9004 Signal black  
 RAL 9007 Grey aluminium  
 RAL 7016 Anthracite grey  
 Graphite grey

**Light Source**

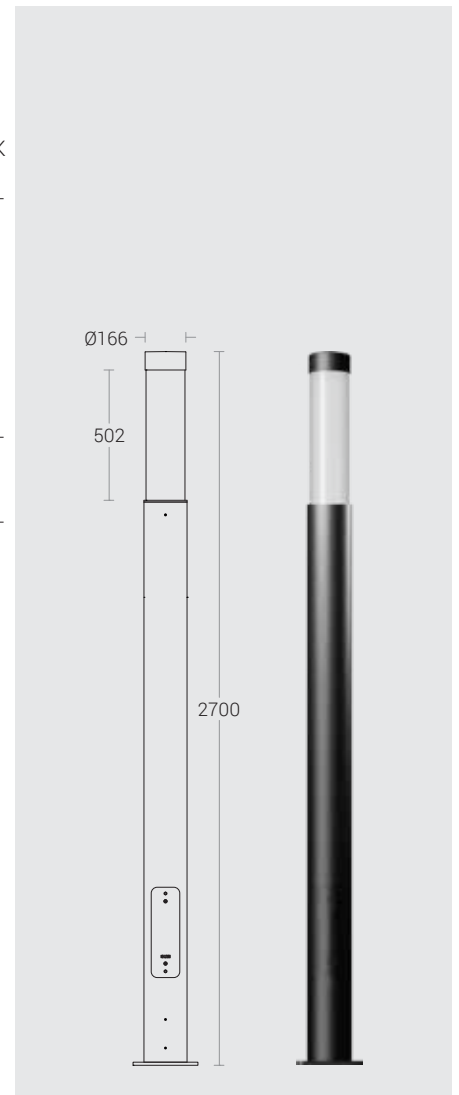
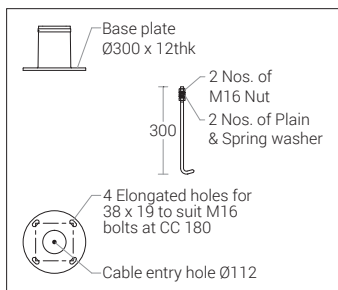
Light Source : NICHIA / LUMILEDS  
 CRI (Ra) : >80  
 LED Colour Temperature : 2700K / 3000K / 4000K / 5700K

**Driver**

Power Supply : Integral  
 Input Voltage : 230-240Vac  
 Frequency : 50-60 Hz  
 Power Factor : >0.95  
 THD : <10%  
 Surge Protection : 4KV  
 Efficiency : >88%

**Optical Performance**

Light Distribution : Symmetrical





SMART CITY, COIMBATORE

**Technical Specifications**

**General**

ID : 7020  
 System Wattage : 48W LED  
 Driver Integral : Constant Current  
 Operating Voltage : 100-277Vac  
 Operating Temperature : -15°C~+50°C

**Light Source**

Light Source : NICHIA  
 CRI (Ra) : >80  
 LED Colour Temperature : 2700K / 3000K / 4000K / 5700K

**Physical**

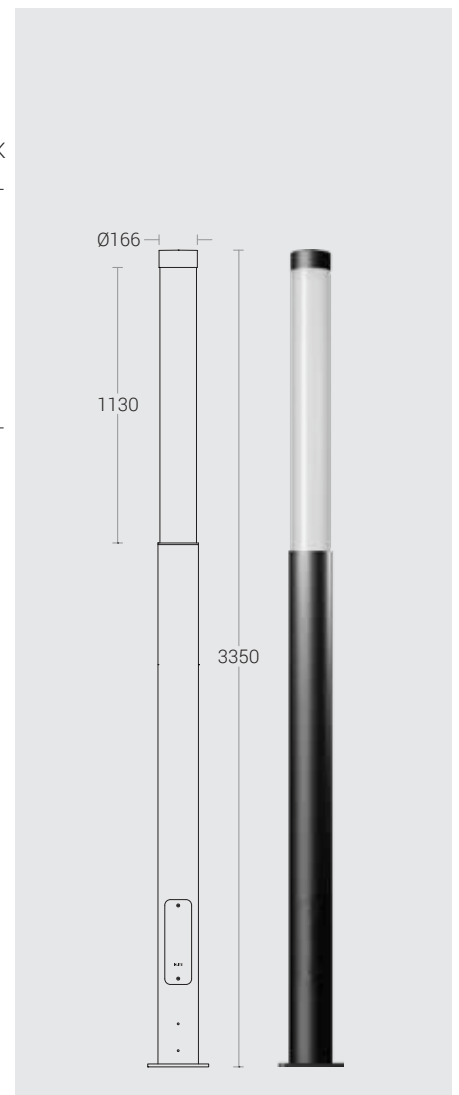
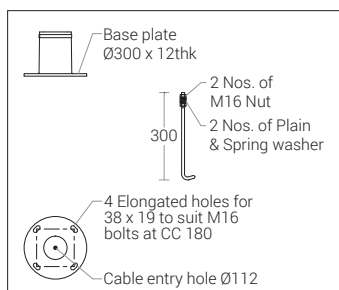
Body : Extruded Aluminium  
 Diffuser : Translucent Polycarbonate  
 Mounting : Surface  
 Finish : Powder coated  
 RAL 9004 Signal black  
 RAL 9007 Grey aluminium  
 RAL 7016 Anthracite grey  
 Graphite grey

**Driver**

Power Supply : Integral  
 Input Voltage : 230-240Vac  
 Frequency : 50-60 Hz  
 Power Factor : >0.95  
 THD : <10%  
 Surge Protection : 6KV  
 Efficiency : >85%

**Optical Performance**

Light Distribution : Symmetrical





DR.J.JAYALALITHAA MEMORIAL, CHENNAI

**Technical Specifications**

**General**

ID : 7018  
 System Wattage : 100W LED  
 Driver Integral : Constant Current  
 Operating Voltage : 100-277Vac  
 Operating Temperature : -15°C~+50°C

**Light Source**

Light Source : NICHIA  
 CRI (Ra) : >80  
 LED Colour Temperature : 2700K / 3000K / 4000K / 5700K

**Physical**

Body : Extruded Aluminium  
 Diffuser : Translucent Polycarbonate  
 Mounting : Surface  
 Finish : Powder coated  
 RAL 9004 Signal black  
 RAL 9007 Grey aluminium  
 RAL 7016 Anthracite grey  
 Graphite grey

**Driver**

Power Supply : Integral  
 Input Voltage : 230-240Vac  
 Frequency : 50-60 Hz  
 Power Factor : >0.95  
 THD : <10%  
 Surge Protection : 6KV  
 Efficiency : >88%

**Optical Performance**

Light Distribution : Symmetrical

