

Decorative bollard suitable for classical architecture, create a pleasant light distribution with a high degree of visual comfort. These luminaries offer shielded glare free illumination of ground surface and are perfect for illuminating entrances, footpaths as well as garden and landscape architecture.

Product Description

- Luminaire body made of pressure die-cast aluminium with extruded aluminium supporting arm and SS fasteners.
- Translucent polycarbonate diffuser.
- For optimum coordination with lighting situation, these luminaries can be supplied in two different mounting heights.
- Luminaire integrated with 12W LED.
- Die-cast aluminium mounting plate for bolting onto a foundation.
- Cable entries for through-wiring of mains supply cable
- Integral constant current power supply
- CRI (Ra) : ≥ 80 (90 CRI - On Request)
- Prewired with LED driver and suitable for operating on 240V, 50Hz single phase ac supply.
- Ordering guide : KL-4737-CCT (Colour Temperature)
- Available CCT : 2700K, 3000K, 4000K, 6500K.



Product Benefits

- High luminous efficiency at reduced wattage.
- Elegant, Robust design
- Quick installation and low assembly costs.
- Dark sky compliant protects pedestrians from glare, in addition to preventing spill light above the horizontal plane.
- Sustainable LED technology offers durability and optimal light output with low power consumption.

Area of Application

Suitable for gated community and non-public / low density public areas.

Available Finish

Pure polyester powder coated

RAL 9004 Signal black

RAL 9007 Grey aluminium

RAL 7016 Anthracite grey

Graphite grey





THE RAMAYANA HOTEL, AYODHYA



Technical Specifications

General

ID	: 4737 / 4748
System Wattage	: 12W LED
Driver Integral	: Constant Current
Operating Voltage	: 100-277Vac
Operating Temperature	: -15°C~+50°C

Light Source

Light Source	: CITIZEN COB
CRI (Ra)	: >80
LED Colour Temperature	: 2700K / 3000K / 4000K / 6500K

Physical

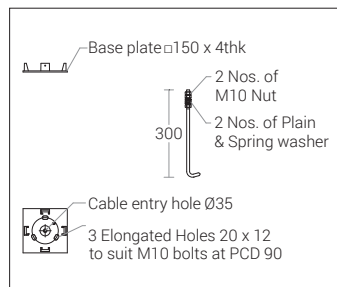
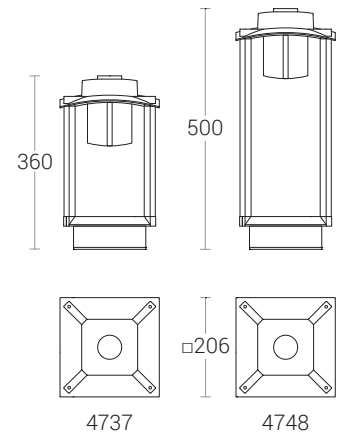
Body	: Die-Cast Aluminium & Extruded Aluminium
Diffuser	: Translucent polycarbonate
Mounting	: Surface - Floor
Finish	: Powder coated RAL 9004 Signal black RAL 9007 Grey aluminium RAL 7016 Anthracite grey Graphite grey

Driver

Power Supply	: Integral
Input Voltage	: 230-240Vac
Frequency	: 50-60Hz
Power Factor	: >0.95
THD	: <10%
Surge Protection	: 4KV
Efficiency	: >80%

Optical Performance

Light Distribution	: Symmetrical
--------------------	---------------



Note : It is our constant endeavor to upgrade the performance of our products. For the latest technical information, IES files and product updates please refer to the website at www.klite.in