

LED compact spot light luminaires designed to provide directional light. The luminaire comes with a connecting cable and an earth spike for portable installation or bracket for permanent installation on a wall, under a ceiling or on a column.

### Product Description

- Luminaire made of pressure die cast aluminium alloy of high corrosion resistance and non corrosive stainless steel fasteners.
- Clear toughened glass.
- Mounting earth spike or die-cast bracket arrangement to facilitate easy installation at any desired location.
- Swivel range of 0°-90°.
- Luminaire supplied with 0.5 metre cable length and a IP67 connector.
- Silicone gasket.
- Cable entries for through-wiring of mains supply cable.
- Integral constant current power supply
- CRI (Ra) :  $\geq 70$  (80 CRI - On Request)
- Prewired with LED driver and suitable for operating on 240V, 50Hz single phase ac supply.
- Ordering guide : KL-7052-CCT (Colour Temperature)
- Available CCT : 2700K, 3000K, 4000K, 5700K



### Product Benefits

- Sturdy construction in order to maintain performance of the luminaire and to reduce maintenance costs.
- Quick & simple installation.
- Clear glass in the front with continuous rubber gasket to ensure adequate sealing against ingress of moisture, dust, insects etc.,
- Sustainable LED technology offers durability and optimal light output with low power consumption.

### Areas of Application

Pathways, Parks, Sculptures, Gardens, Structures and Landscape lighting.

### Available Finish

Pure polyester powder coated

RAL 9004 Signal black

RAL 9007 Grey aluminium

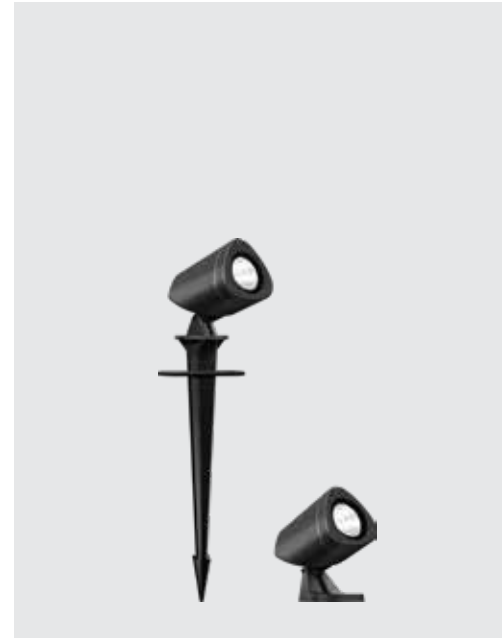
RAL 7016 Anthracite grey

Graphite grey





TABLET INDIA RESIDENCE, BOAR CLUB, CHENNAI



**Technical Specifications**

**General**

ID : 7052 / 7057  
 System Wattage : 6W LED  
 Driver Integral : Constant Current  
 Operating Voltage : 100-240Vac  
 Operating Temperature : -15°C~+50°C

**Light Source**

Light Source : LUMILED / OSRAM  
 CRI (Ra) : ≥70 (80 CRI - On Request)  
 LED Colour Temperature : 2700K / 3000K / 4000K / 5700K

**Physical**

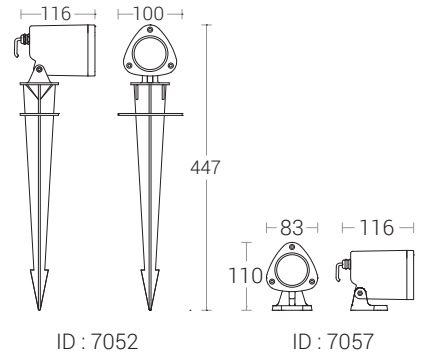
Body : Die-cast Aluminium Alloy  
 Diffuser : Clear Toughened Glass  
 Mounting : Spike / Die-cast Aluminium Bracket  
 Finish : Powder coated  
 RAL 9004 Signal black  
 RAL 9007 Grey aluminium  
 RAL 7016 Anthracite grey  
 Graphite grey

**Driver**

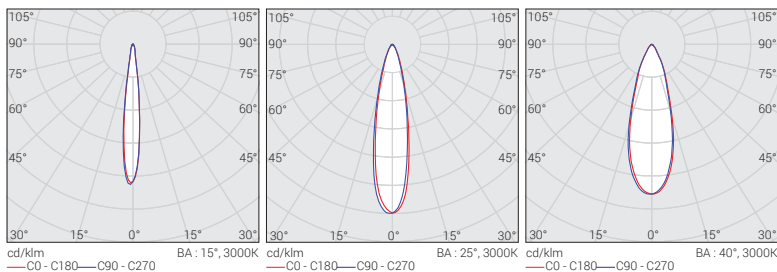
Power Supply : Integral  
 Input Voltage : 230-240Vac  
 Frequency : 50-60 Hz  
 Power Factor : ≥0.60  
 Surge Protection : 2KV  
 Efficiency : >70%

**Optical Performance**

Beam Angle : 15° / 25° / 40°



**Photometric Data**



**Note :** It is our constant endeavor to upgrade the performance of our products. For the latest technical information, IES files and product updates please refer to the website at [www.klite.in](http://www.klite.in)