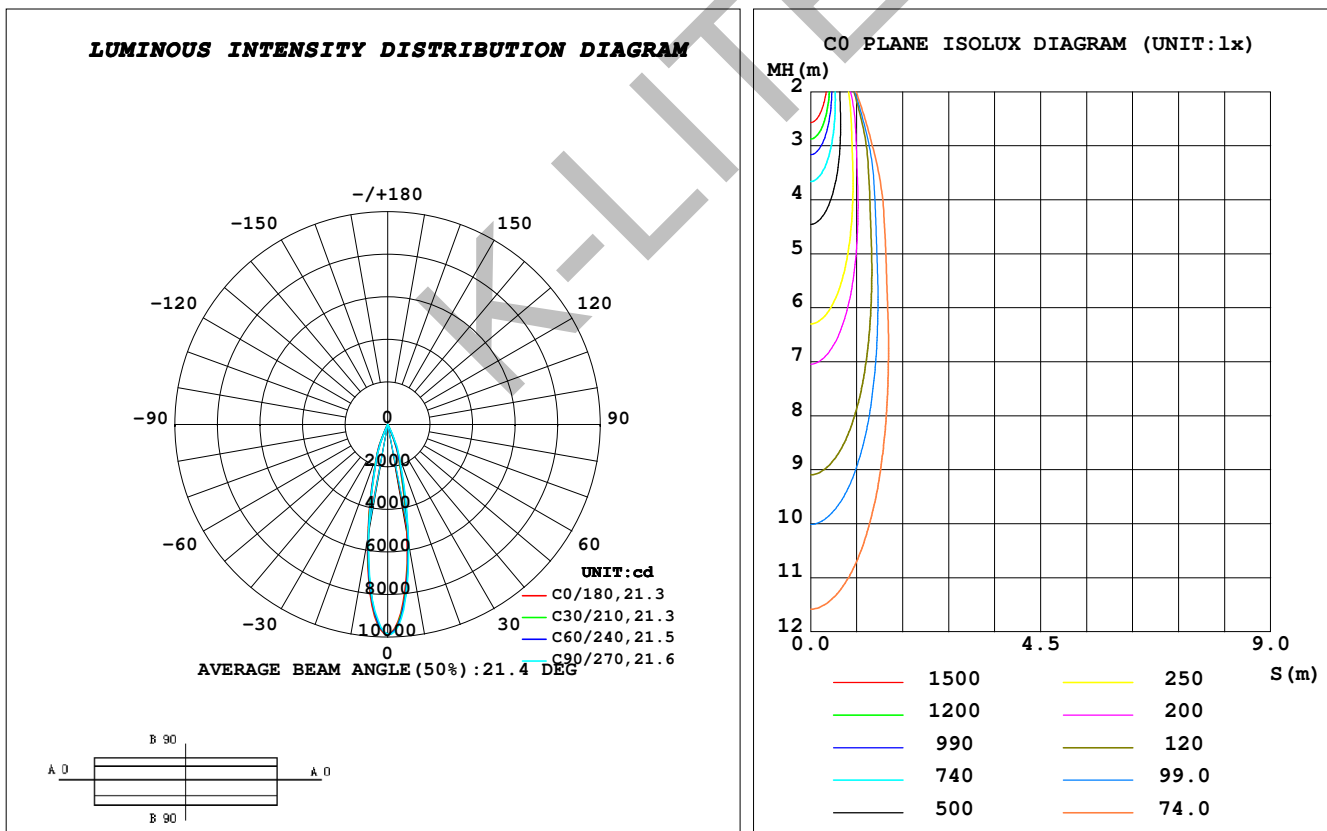


### LUMINAIRE PHOTOMETRIC TEST REPORT

Test:U:230.32V I:0.1584A P:35.162W PF:0.9640 Freq:49.98Hz Lamp Flux:4524x1 lm		
NAME: PLATINA MAXI - TRIM	TYPE: RECESSED CEILING	WEIGHT:
SPEC.: WW, CITIZEN	DIM.: Ø133 x 143	SERIAL No.: 1476
MFR.: K-LITE	SUR.:	Shielding Angle: 24°

DATA OF LAMP		PHOTOMETRIC DATA			
MODEL	KL-3330	Imax (cd)	9880	S/MH (C0/180)	0.37
NOMINAL POWER (W)	35	LOR (%)	38.2	S/MH (C90/270)	0.36
RATED VOLTAGE (V)	230	TOTAL FLUX (lm)	1726.1	η UP, DN (C0-180)	0.0, 20.0
NOMINAL FLUX (lm)	4524	CIE CLASS	DIRECT	η UP, DN (C180-360)	0.0, 18.2
LAMPS INSIDE	1	η up (%)	0.0	CIBSE SHR NOM	0.00
TEST VOLTAGE (V)	230	η down (%)	38.2	CIBSE SHR MAX	1.00



**C Range: 0 - 360DEG**  
**C Interval: 10.0DEG**  
**Test Speed: HIGH**  
**Temperature: 25.3DEG**  
**Operators: K-LITE**  
**Test Date: 13 July 2020**

**γ Range: 0 - 90DEG**  
**γ Interval: 1.0DEG**  
**Test System: EVERFINE GO-R5000\_V2 SYSTEM V2.00.417**  
**Humidity: 65.0%**  
**Test Distance: 1.825m [K=1.0000]**  
**Remarks:**